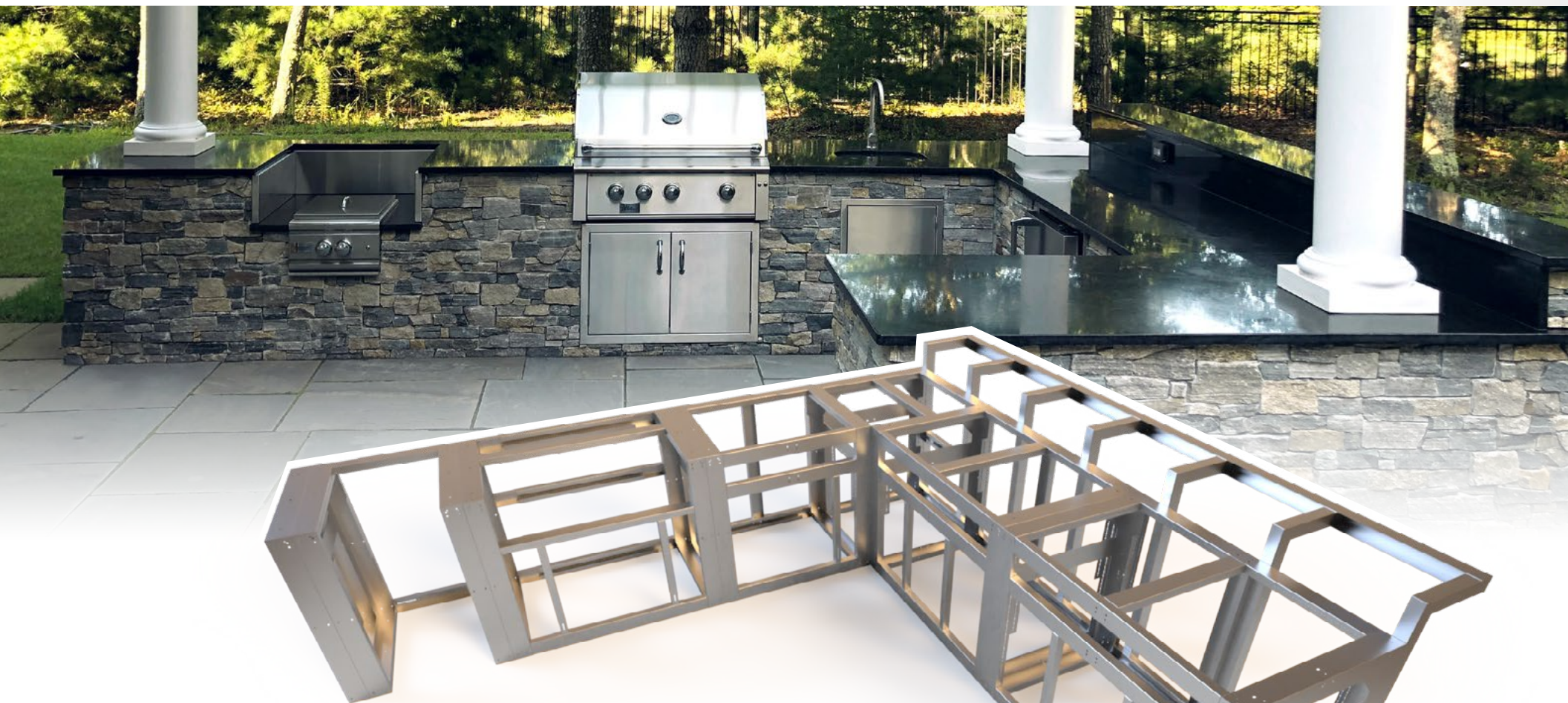




# Uniframe Systems

FULLY ADJUSTABLE OUTDOOR KITCHEN FRAMES

P A T E N T E D   D E S I G N



2022 Product Catalog



**Our story** started years ago when a landscape contractor approached our founders, the owners of New England Welding, with a challenge. Could they come up with a fully-adjustable, modular framing system for outdoor kitchens that can be quickly laid out and fit any outdoor appliance? Well, needless to say, our founders were up for the challenge. With a combined 100 years in the trade, they designed and developed a system that met the criteria and aligned with their core values of quality, integrity, and innovation. The result was a versatile product that could be quickly assembled and customized to meet the needs of any customer. Today, our patented designed framing systems is the cornerstone of our business, and we're proud to offer it to contractors and homeowners alike.

## Time is money

Anyone who has ever attempted a major home improvement project knows that the cost can add up quickly, and time is money. Uniframe Systems kits and modules come pre-cut, pre-measured, and pre-drilled. Our frames can be assembled in just a few hours, significantly reducing the labor costs associated with framing out a custom outdoor kitchen. As a result, Uniframe Systems offers homeowners and contractors an excellent way to save money without sacrificing quality or functionality.

### Time saver!

April 25, 2022



*"I can assemble this kit in under a day. With a labor shortage, it's a huge time-save that lets my team get more done in less time."*

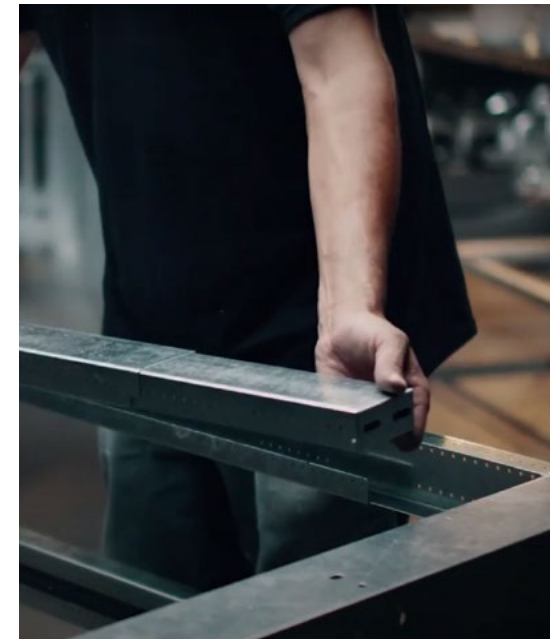
- Ethan

### Easy assembly, Quality. Solid

January 6, 2016



*"My girlfriend and I after watching the video, assembled this kit in 1hr. Great product."*





# Our Kits

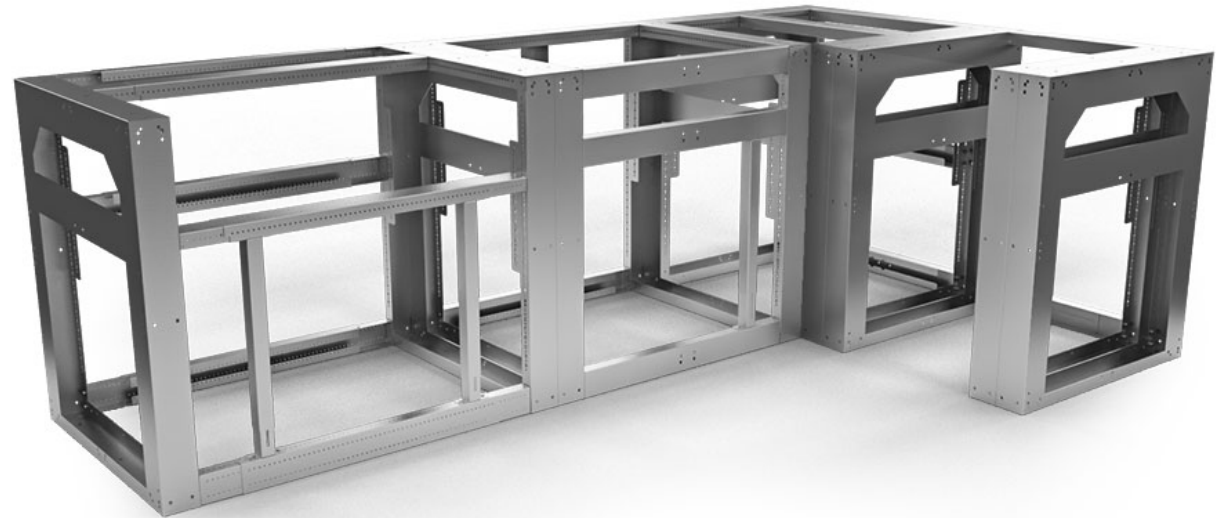
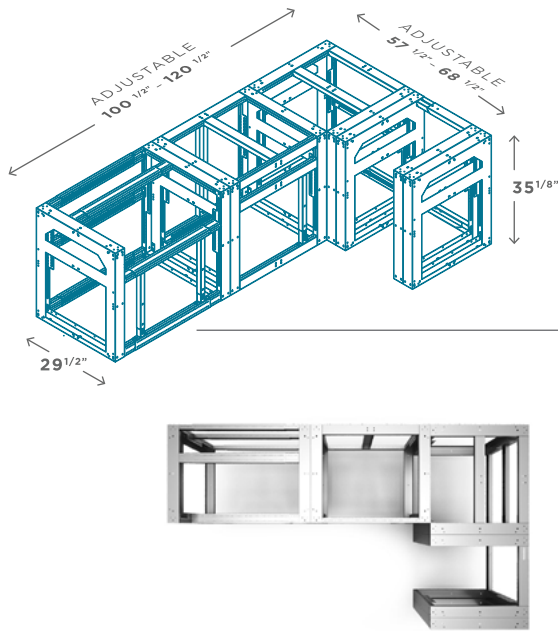
## Extremely Adaptable!

November 5, 2021

★★★★★

*"The Lexington kit = Great Product! Frames are easily adjusted for your specific needs. My outdoor kitchen has a green egg, grill and pizza oven all different sizes but that was not a problem because of how easy it is to modify and adjust the frames."*

- BPSI



## The Avon Kit

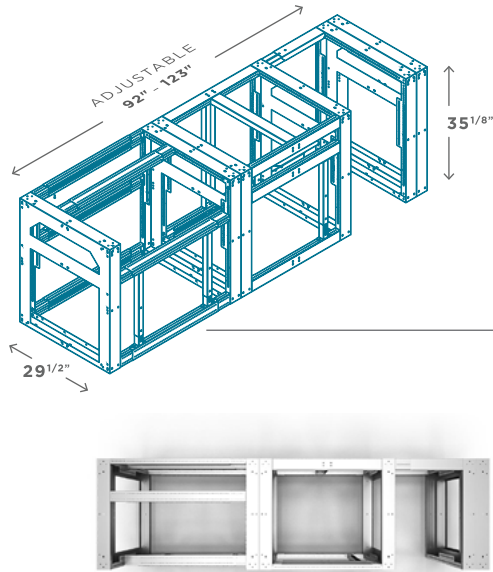
The Avon is much like a classic indoor kitchen, with a layout that's friendly and familiar. Fit in a mini-fridge, or add a backsplash - it's easy to make it your own.



*Example of Avon Kit with applied finishess and appliances.*

### Includes:

- Standard Grill Module 28" - 48" | QTY:1
- 36" Module | QTY:1
- 90 Deg Corner Kit | QTY:1
- Refrigerator Module | QTY:1
- End Panel or Spacer 35-1/8" | QTY:4
- Vent Kit, 24 Louver | QTY:1
- Construction | 18 Gauge (.048) G-9 Galvanized Steel | Non-Combustible
- Weight 208 LB



## The Bridgewater Kit

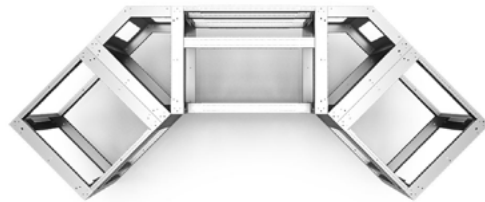
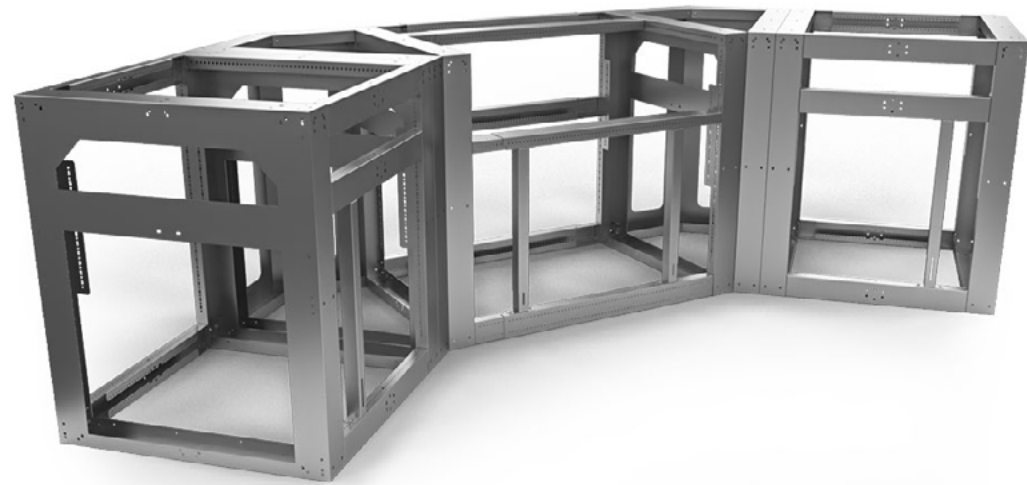
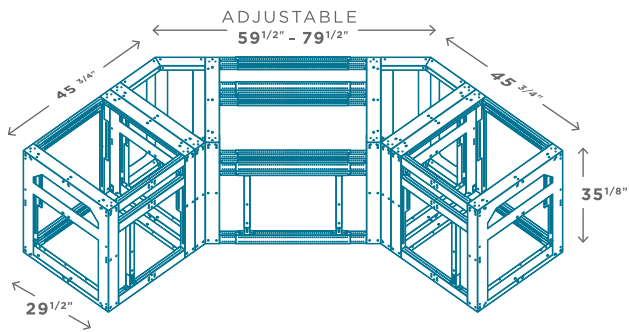
The Bridgewater Kit accommodates your new grill and outdoor refrigerator in a smart, compact way.



*Example of Bridgewater Kit with applied finishess and appliances.*

### Includes:

- Standard Grill Module 28" - 48" | QTY:1
- 36" Module | QTY:1
- Refrigerator / Ice Maker kit | QTY:1
- End Panel or Spacer | QTY:2
- Vent Kit, 24 Louver | QTY:1
- Construction | 18 Gauge (.048) G-9 Galvanized Steel | Non-Combustible
- Weight 150 LB



## The Cambridge Kit

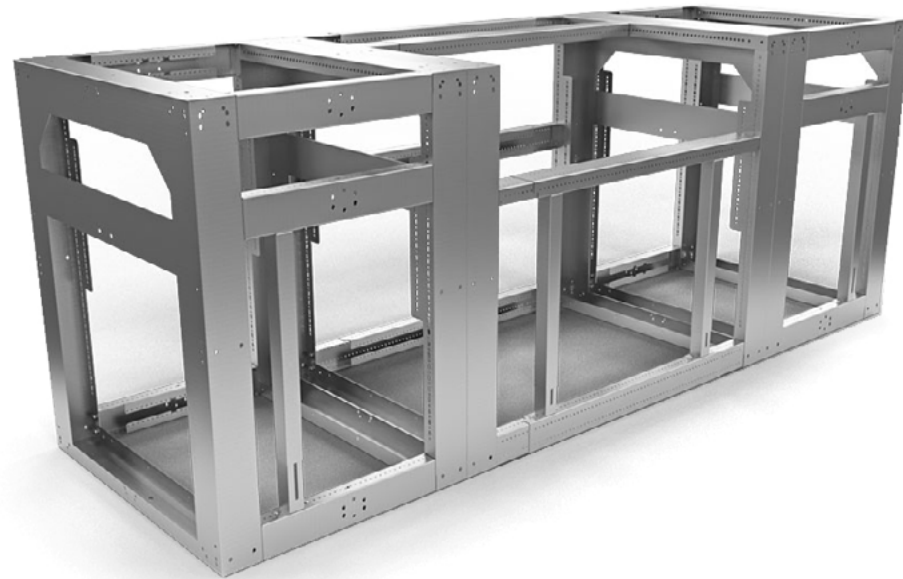
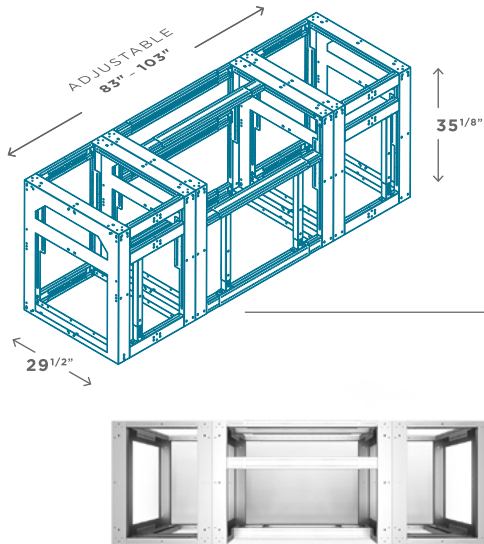
The Cambridge is an outdoor setup fit for royalty. Take on grill duty in style, behind your centered layout, with counter space on either side and plenty of room for customization.



*Example of Cambridge Kit with applied finishess and appliances.*

### Includes:

- Standard Grill Module 28" - 48" | QTY:1
- 30" Module | QTY:2
- End Panel or Spacer, 35-1/8" | QTY:2
- 45 Deg Corner Kit | QTY:2
- Vent Kit, 24 Louver | QTY:1
- Construction | 18 Gauge (.048) G-9 Galvanized Steel | Non-Combustible
- Weight 216 LB



## The Brookline Kit

The Brookline is designed to fit into small spaces and still make a statement. It's a compact, straightforward arrangement that's easy to make your own.

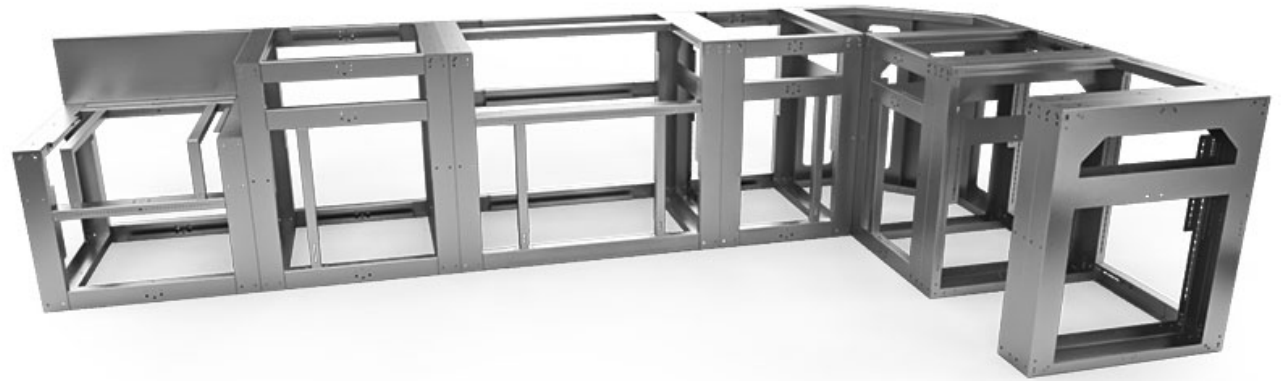
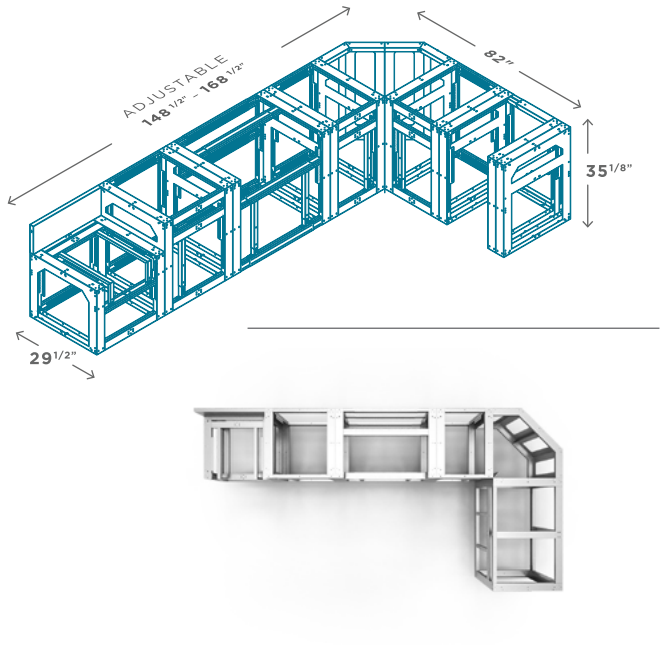


*Example of Brookline Kit with applied finishess and appliances.*

### Includes:

- Standard Grill Module 28" - 48" | QTY:1
- 24" Module | QTY:2
- Vent Kit, 24 Louver | QTY:1
- Construction | 18 Gauge (.048) G-9 Galvanized Steel | Non-Combustible
- Weight 147 LB





## The Lexington Kit

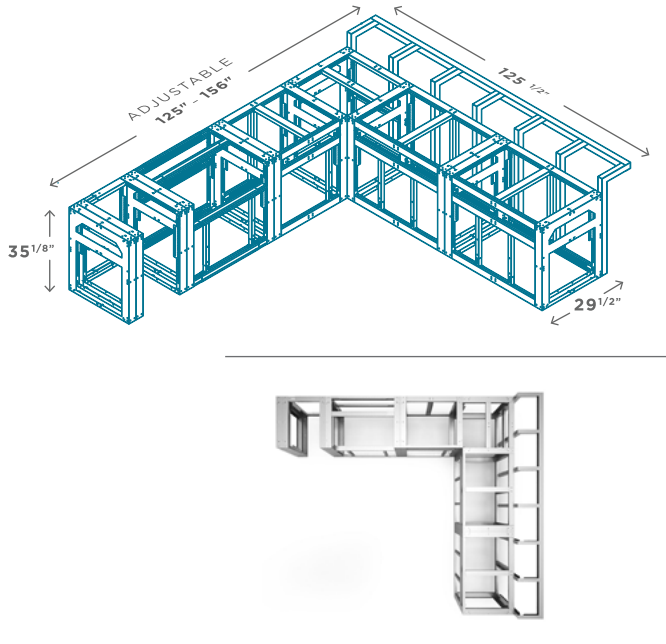
The Lexington is an outdoor setup for the true outdoor kitchen enthusiast. With space for multiple cooking and prep areas.



Example of Lexington Kit with applied finishess and appliances.

### Includes:

- Standard Grill Module 28" - 48" | QTY:1
- Power Burner Module | QTY:1
- 30" Module | QTY:1
- 24" Module | QTY:2
- 45 Degree Corner Kit | QTY:1
- Refrigerator / Ice Maker kit | QTY:1
- End Panel or Spacer | QTY:3
- Vent Kit, 24 Louver | QTY:1
- Construction | 18 Gauge (.048) G-9 Galvanized Steel | Non-Combustible
- Weight 325 LB



## The Mashpee Kit

The Mashpee provides the perfect structure for entertaining guests. You can cook up your favorite foods without having to leave the party.



*Example of Mashpee Kit with applied finishess and appliances.*

### Includes:

- Standard Grill Module 28" - 48" | QTY:1
- 36" Module | QTY:1
- Refrigerator / Ice Maker kit | QTY:1
- End Panel or Spacer | QTY:3
- 90 Degree Corner Kit | QTY:1
- 48" Module | QTY:2
- Bar Support | QTY:7
- Vent Kit, 24 Louver | QTY:1
- Construction | 18 Gauge (.048) G-9 Galvanized Steel | Non-Combustible
- Weight 380 LB



# Modules

---

## Game Changer!

November 9, 2021

★★★★★

*"Our project was for an outdoor deck at a penthouse residence in the city. Uniframe Systems changed all the dynamics involved in the project. The frame accomodated all appliances and was versatile enough to allow for a 3/4" stone skin that was fastened from the interior. ."*

*- Masterpiece Woodworks*



### Standard Grill Module 28"- 48" (UF-GRL)

Customize your outdoor kitchen build with a base grill module that can easily fit your vision. The UF-GRL fits grills from 28 in. to 48 in. W.

The adjustable front opening can accommodate the grill and accessories of your choosing, such as doors, shelves, drawers, and more.

- Overall Width | 35"-55"
- Overall Height | 35-1/8"
- Overall Depth | 29-1/2"
- Construction | 18 Gauge (.048) G-90 Galvanized Steel | Non-Combustible
- Weight | 65LB



### Wide Grill Module 34" - 55" (UF-GRW)

Customize your outdoor kitchen build with a base grill module that can easily fit your vision. The UF-GRW fits grills from 34 in. to 55 in. W.

The adjustable front opening can accommodate the grill and accessories of your choosing, such as doors, shelves, drawers, and more.

- Overall Width | 41"-62"
- Overall Height | 35-1/8"
- Overall Depth | 29-1/2"
- Construction | 18 Gauge (.048) G-90 Galvanized Steel | Non-Combustible
- Weight | 70LB



### Power Burner Module (UF-PWB)

The power burner module will adjust to fit power burners up to 30 in. W. This module allows you to install any power burners you

desire in your outdoor kitchen. Simply adjust the module to fit burners that are up to 30 in.

- Burner Opening | 12" - 23"
- Overall Width | 30"
- Overall Height | 35-1/8"
- Overall Depth | 29-1/2"
- Construction | 18 Gauge (.048) G-90 Galvanized Steel | Non-Combustible
- Weight | 47LB



### 24" Module (UF-M24)

Choose the ideal fixed width module to complete your kitchen frame design.

- Overall Width | 24"
- Overall Height | 35-1/8"
- Overall Depth | 29-1/2"

This 24" module supports custom accessories (doors, shelves, drawers, etc.).

- Construction | 18 Gauge (.048) G-90 Galvanized Steel | Non-Combustible
- Weight | 40LB



### 30" Module (UF-M30)

Choose the ideal fixed width module to complete your kitchen frame design.

- Overall Width | 30"
- Overall Height | 35-1/8"
- Overall Depth | 29-1/2"

This 30" module supports custom accessories (doors, shelves, drawers, etc.).

- Construction | 18 Gauge (.048) G-90 Galvanized Steel | Non-Combustible
- Weight | 45LB



### 36" Module (UF-M36)

Choose the ideal fixed width module to complete your kitchen frame design.

- Overall Width | 36"
- Overall Height | 35-1/8"
- Overall Depth | 29"

This 36" module supports custom accessories (doors, shelves, drawers, etc.).

- Construction | 18 Gauge (.048) G-90 Galvanized Steel | Non-Combustible
- Weight | 50LB



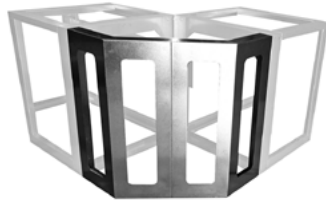
### 48" Module (UF-M48)

Choose the ideal fixed width module to complete your kitchen frame design. This 48" module supports custom accessories with its

- Overall Width | 48"
- Overall Height | 35-1/8"
- Overall Depth | 29-1/2"

adjustable front opening. Compatible accessories include doors, shelves, drawers, any appliances that fit within the module.

- Construction | 18 Gauge (.048) G-90 Galvanized Steel | Non-Combustible
- Weight | 65LB



### 45 Degree Corner (UF-C45)

Create the perfect 45 angle with this module. This accessory creates a 45° corner between

- Corner Angle | 45 Degree
- Overall Height | 35 1/8"

adjacent modules. Build the outdoor kitchen shape that is perfect for you.

- Construction | 18 Gauge (.048) G-90 Galvanized Steel | Non-Combustible
- Weight | 15 LB



### 90 Degree Corner (UF-C90)

Create the perfect 90 angle with this module. This accessory creates a 90° corner between

- Overall Width | 29 1/2"
- Overall Height | 35 1/8"
- Overall Depth | 29 1/2"

adjacent modules. Build the outdoor kitchen shape that is perfect for you.

- Construction | 18 Gauge (.048) G-90 Galvanized Steel | Non-Combustible
- Weight | 28 LB



## Refrigerator/ Ice Maker (UF-REF)

The Adjustable Slide used to extend accessory width openings in modules between 14" to 25."

These sliders create space between adjacent modules for a refrigerator or ice maker.

- Overall Width | ADJUSTABLE 14.5" - 26"
- Construction | 18 Gauge (.048) G-90 Galvanized Steel | Non-Combustible
- Weight | 5LB

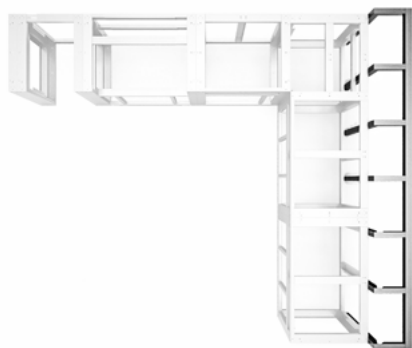


## Egg Cooker Shelf (UF-EG1)

Is an egg cooker a part of your dream outdoor kitchen? Our egg cooker shelf supports most "kamado / Egg" style cookers. This shelf fits

within a standard 36" Module, with heavy duty construction to safely support your cooker.

- Overall Depth | 29-1/2"
- Overall Width | 29"
- Construction | 18 Gauge (.048) G-90 Galvanized Steel | Non-Combustible
- Weight | 23LB

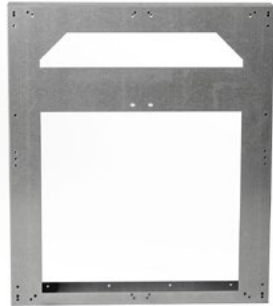


## Bar Top Support (UF-BTS)

Turn your outdoor kitchen into to the ultimate socializing spot with the Bar Top Support Kit. This module allows you to build your perfect

bar anywhere in your outdoor kitchen. Simply attach the kit to the frame of your other modules to create a bar top, and enjoy.

- Overall Width | 4ft
- Overall Height | 41-1/2"
- Overall Depth | 14"
- Construction | 14 Gauge (.048) G-90 Galvanized Steel | Non-Combustible
- Weight | 40LB



### End Panel or Spacer (UF-MD1)

Add extra space to insert an appliance of your choice. Or use the module to finish an ending of your kitchen. Go ahead, imagine - and create - your ideal outdoor kitchen.

- Overall Width | 3-1/2"
- Overall Height | 35-1/8"
- Overall Depth | 29-1/2"
- Construction | 18 Gauge (.048) G-90 Galvanized Steel | Non-Combustible
- Weight | 14LB



### Louver Kit 10" x 18"

Used for venting of outdoor kitchen islands. Durable, weather-resistant stainless steel. 24 louver slots for superior ventilation. Non-combustible.

- Overall Depth | 10"
- Max Width | 18"
- 20 Ga Brushed Stainless

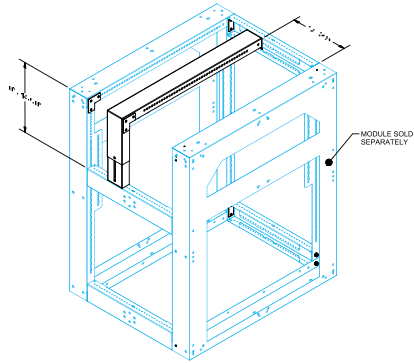


### Louver Kit 5.5" x 18"

Used for venting of outdoor kitchen islands. Durable, weather-resistant stainless steel. 12 louver slots for superior ventilation. Non-combustible.

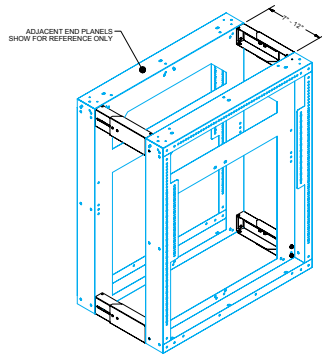
- Overall Depth | 5.5"
- Max Width | 18"
- 20 Ga Brushed Stainless





### Side Burner L-Support (UF-SB1)

- Max Width 14"
- Overall Depth | 8" - 14-5/8" Base Depth
- Installs into 24" Module
- Construction | 18 Gauge (.048) G-90 Galvanized Steel | Non-Combustible
- Weight | 8LB



### Adj. Channel Kit (UF-AD7)

- Overall Length | 7" - 12"
- Overall Width | 3"
- Overall Height | 1-1/2"
- Construction | 18 Gauge (.048) G-90 Galvanized Steel | Non-Combustible
- Weight | 2 LB



## Structurally superior within its market segment

- 1 Built of 18 gauge galvanized steel.
- 2 Folded, not welded, creating commercial-grade structural integrity
- 3 Backed by a limited lifetime warranty

## Fully adjustable outdoor kitchen frames

- 1 Our frames are fully adjustable to fit any grill, outdoor fridge, side burner, pizza oven, or smoker on the market.
- 2 Our modular system allows customers to change the shapes or appliance positions as desired to fit their project.
- 3 Extensible, allowing customers to add more modules to extend kitchen kits now or in the future.

## Speed of delivery and build without needing skilled labor

- 1 Healthy supply chain in the the continental US
- 2 Delivery upon order is within a week on average.
- 3 Our kits are assembled in hours instead of days

# Thank you

---

## **For Questions & Sales Requests**

Call us at: **(844) 883-3330**

or email us at: [info@uniframesystems.com](mailto:info@uniframesystems.com)

## **For More Information**

Check us out at: <https://uniframesystems.com/>